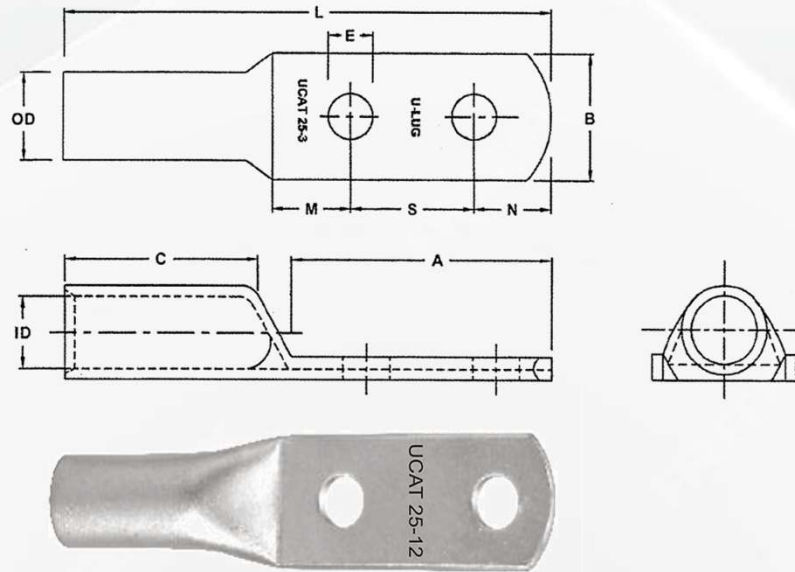


U-LUG

HEAVY DUTY COPPER CABLE LUGS 2 HOLE FIXING



CABLE SIZE		DIMENSIONS									
(MMSQ)	(EQUIVALENT AREA AWG / MCM)	Ø E (STUD)	ID (mm)	OD (mm)	L (mm)	S (mm)	M (mm)	N (mm)	C (mm)	B (mm)	A (mm)
UCAT 25-12	4.0 AWG	M12	6.8	11.0	119.0	44.5	18.0	16.0	36.5	21.0	78.5
UCAT 35-12	2.0 AWG	M12	8.2	12.5	120.0	44.5	18.0	16.0	36.5	21.0	78.5
UCAT 50-12	1/0 AWG	M12	9.5	13.0	124.0	44.5	18.0	16.0	39.5	21.0	78.5
UCAT 70-12	2/0 AWG	M12	11.2	15.0	128.0	44.5	18.0	16.0	42.0	21.5	78.5
UCAT 95-12	3/0 AWG	M12	13.5	17.8	133.5	44.5	18.0	16.0	46.0	25.5	78.5
UCAT 120-12	4/0 AWG	M12	15.0	19.5	139.0	44.5	18.0	16.0	50.0	28.5	78.5
UCAT 150-12	300 MCM	M12	16.5	21.5	146.0	44.5	18.0	16.0	56.5	31.0	78.5
UCAT 185-12	350 MCM	M12	18.5	24.0	156.0	44.5	18.0	16.0	65.0	34.0	78.5
UCAT 240-12	450 MCM	M12	21.0	26.5	160.0	44.5	20.0	16.0	65.0	39.0	80.5
UCAT 300-12	600 MCM	M12	23.5	30.0	175.0	44.5	20.0	16.0	79.5	43.5	80.5
UCAT 400-12	750 MCM	M12	26.8	35.0	179.0	44.5	20.0	16.0	81.0	50.0	80.5
UCAT 500-12	1000 MCM	M12	30.0	39.0	186.0	44.5	20.0	16.0	85.5	56.0	80.5
UCAT 630-12	1200 MCM	M12	35.0	45.0	198.0	44.5	20.0	16.0	95.5	65.0	80.5
UCAT 800-12	1500 MCM	M12	39.0	50.6	210.0	44.5	21.0	18.0	109.5	73.5	83.5
UCAT 1000-12	2000 MCM	M12	43.0	56.2	220.0	44.5	21.0	18.0	116.5	81.0	83.5