

## Universal Strut Clamps

**Features:**

- For use with EMT/IMC/Rigid Conduit

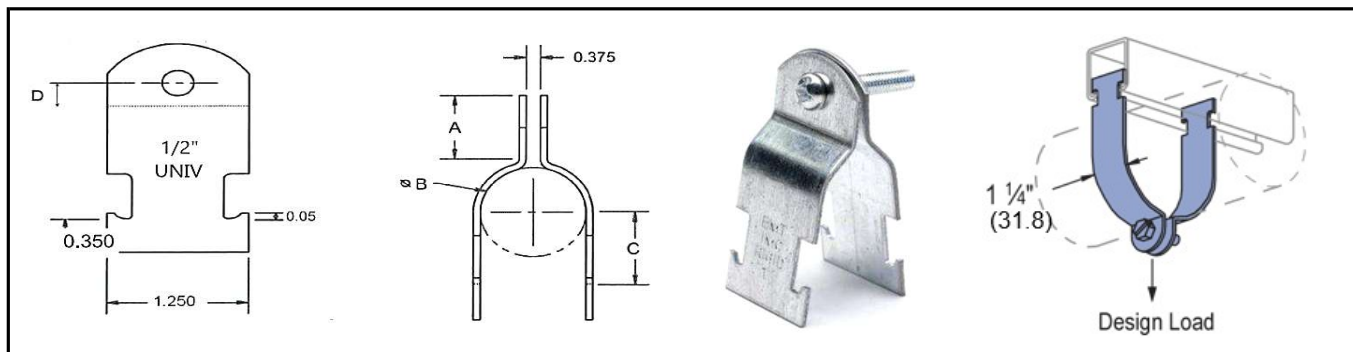
**Standard Material :**

- Steel

**Standard Finish:**

- Pre-galvanized

Cat.No.	Size	Conduit Size (mm)	Material Thickness	Hole Diameter	(Inch)				Bolt Size
					A	B	C	D	
SC-050P	1/2"	17.8 - 22.0	0.60 (±0.05)	0.28	0.690	0.773	0.6675±0.015	0.325 0.345	M6 x 30mm
SC-075P	3/4"	23.3 - 26.7				0.986	0.7740±0.015		
SC-100P	1"	29.5 - 33.5				1.279	0.9205±0.015		
SC-125P	1-1/4"	37.0 - 39.0			1.585	1.0735±0.015			
SC-150P	1-1/2"	43.0 - 45.0			0.820	1.820	1.1910±0.015	0.400 0.420	
SC-200P	2"	53.0 - 55.0				2.266	1.4240±0.015		



**Applications:**

- Use to support stationary pipe and tubing lines from strut channel .

Clamps to be packaged  
Assembled as shown  
with one(1) Bolt and  
one (1) Hex Nut.

