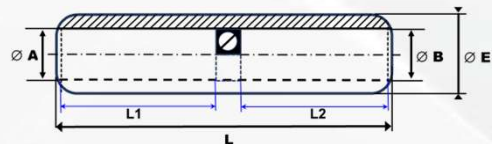


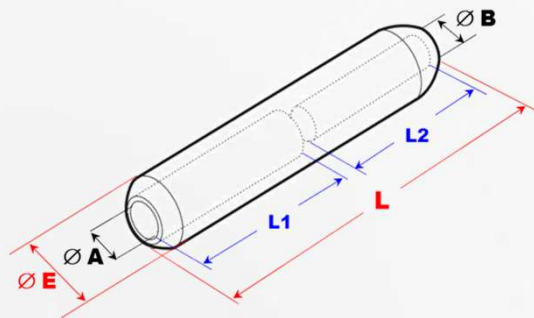
# U-LUG

## Aluminium Connectors - Barrier Type

- 1) MATERIAL : 99.5% pure Aluminium
- 2) Operation Temperature : -20°C to 140°C



To be installed by deep crimping



| PART NO.      | SECTION AREA (mm <sup>2</sup> ) | (EQUIVALENT AREA AWG) | Ø A (mm) | Ø B (mm) | Ø E (mm) | L (mm) | L1 (mm) | L2 (mm) |
|---------------|---------------------------------|-----------------------|----------|----------|----------|--------|---------|---------|
| ALU 150 / 150 | 150 / 150                       | 300 / 300 MCM         | 15.5     | 15.5     | 25.0     | 134.0  | 62.0    | 62.0    |
| ALU 240 / 150 | 240 / 150                       | 450 / 300 MCM         | 19.5     | 15.5     | 32.0     | 144.0  | 67.0    | 67.0    |
| ALU 240 / 185 | 240 / 185                       | 450 / 350 MCM         | 19.5     | 17.0     | 32.0     | 144.0  | 67.0    | 67.0    |
| ALU 240 / 240 | 240 / 240                       | 450 / 450 MCM         | 19.5     | 19.5     | 32.0     | 144.0  | 67.0    | 67.0    |
| ALU 300 / 150 | 300 / 150                       | 600 / 300 MCM         | 23.3     | 15.5     | 34.0     | 144.0  | 67.0    | 67.0    |
| ALU 300 / 185 | 300 / 185                       | 600 / 350 MCM         | 23.3     | 17.0     | 34.0     | 144.0  | 67.0    | 67.0    |
| ALU 300 / 240 | 300 / 240                       | 600 / 450 MCM         | 23.3     | 19.5     | 34.0     | 144.0  | 67.0    | 67.0    |
| ALU 300 / 300 | 300 / 300                       | 600 / 600 MCM         | 23.3     | 23.3     | 34.0     | 144.0  | 67.0    | 67.0    |