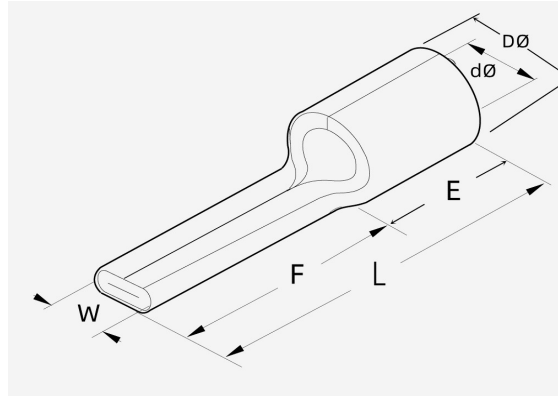


# U-LUG

## Uninsulated Copper Folded Pin Connectors



### Non-Insulated Pin Terminal (Apply in flexible wire)

- Terminal Body : Copper
- Plating : Tin

CABLE SIZE ( MMSQ )	(EQUIVALENT AREA AWG)	THICKNESS ( mm )	DIMENSION ( mm )					
			W	L	E	F	D	d
<b>PIN 10</b>	8.0 AWG	1.1	4.2	20.0	8.0	12.0	7.0	4.7
<b>PIN 16</b>	6.0 AWG	1.2	5.5	23.0	10.0	13.0	8.4	5.8
<b>PIN 25</b>	4.0 AWG	1.2	6.6	28.5	13.5	15.0	9.5	7.0
<b>PIN 35</b>	2.0 AWG	1.5	7.8	36.0	16.0	20.0	11.8	8.4
<b>PIN 50</b>	1/0 AWG	1.8	9.5	39.0	19.0	20.0	13.6	9.6
<b>PIN 70</b>	2/0 AWG	2.0	11.0	49.0	24.0	25.0	15.8	11.4
<b>PIN 95</b>	3/0 AWG	2.5	12.5	49.0	24.0	25.0	18.9	13.5