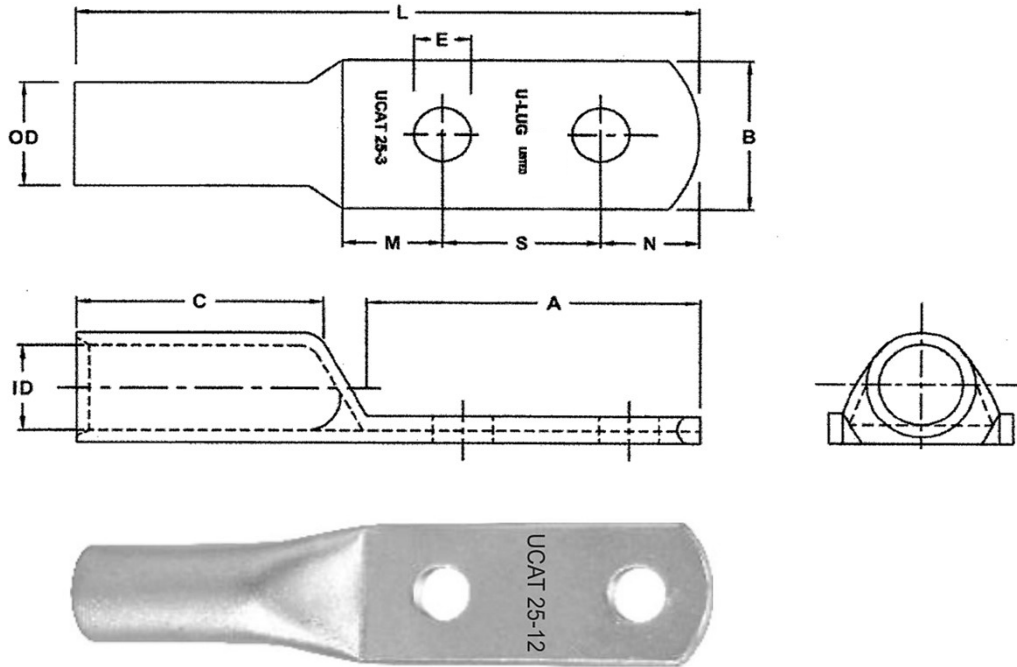


# U-LUG

## HEAVY DUTY COPPER CABLE LUGS 2 HOLE FIXING



CABLE SIZE		DIMENSIONS									
( MMSQ)	(EQUIVALENT AREA AWG / MCM)	Ø E ( STUD)	ID ( mm )	OD ( mm )	L ( mm )	S ( mm )	M ( mm )	N ( mm )	C ( mm )	B ( mm )	A ( mm )
<b>UCAT 25-12</b>	4.0 AWG	M12	6.8	11.0	119.0	44.5	18.0	16.0	36.5	21.0	78.5
<b>UCAT 35-12</b>	2.0 AWG	M12	8.2	12.5	120.0	44.5	18.0	16.0	36.5	21.0	78.5
<b>UCAT 50-12</b>	1/0 AWG	M12	9.5	13.0	124.0	44.5	18.0	16.0	39.5	21.0	78.5
<b>UCAT 70-12</b>	2/0 AWG	M12	11.2	15.0	128.0	44.5	18.0	16.0	42.0	21.5	78.5
<b>UCAT 95-12</b>	3/0 AWG	M12	13.5	17.8	133.5	44.5	18.0	16.0	46.0	25.5	78.5
<b>UCAT 120-12</b>	4/0 AWG	M12	15.0	19.5	139.0	44.5	18.0	16.0	50.0	28.5	78.5
<b>UCAT 150-12</b>	300 MCM	M12	16.5	21.5	146.0	44.5	18.0	16.0	56.5	31.0	78.5
<b>UCAT 185-12</b>	350 MCM	M12	18.5	24.0	156.0	44.5	18.0	16.0	65.0	34.0	78.5
<b>UCAT 240-12</b>	450 MCM	M12	21.0	26.5	160.0	44.5	20.0	16.0	65.0	39.0	80.5
<b>UCAT 300-12</b>	600 MCM	M12	23.5	30.0	175.0	44.5	20.0	16.0	79.5	43.5	80.5
<b>UCAT 400-12</b>	750 MCM	M12	26.8	35.0	179.0	44.5	20.0	16.0	81.0	50.0	80.5
<b>UCAT 500-12</b>	1000 MCM	M12	30.0	39.0	186.0	44.5	20.0	16.0	85.5	56.0	80.5
<b>UCAT 630-12</b>	1200 MCM	M12	35.0	45.0	198.0	44.5	20.0	16.0	95.5	65.0	80.5
<b>UCAT 800-12</b>	1500 MCM	M12	39.0	50.6	210.0	44.5	21.0	18.0	109.5	73.5	83.5
<b>UCAT 1000-12</b>	2000 MCM	M12	43.0	56.2	220.0	44.5	21.0	18.0	116.5	81.0	83.5