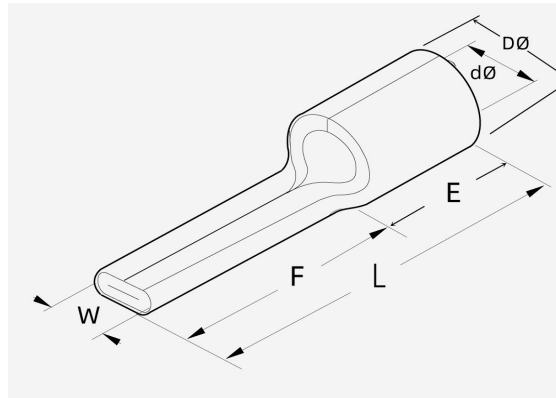


U-LUG

Uninsulated Copper Folded Pin Connectors



Non-Insulated Pin Terminal (Apply in flexible wire)

- Terminal Body : Copper
- Plating : Tin

CABLE SIZE (MMSQ)	(EQUIVALENT AREA AWG)	THICKNESS (mm)	DIMENSION (mm)					
			W	L	E	F	D	d
PIN 10	8.0 AWG	1.1	4.2	20.0	8.0	12.0	7.0	4.7
PIN 16	6.0 AWG	1.2	5.5	23.0	10.0	13.0	8.4	5.8
PIN 25	4.0 AWG	1.2	6.6	28.5	13.5	15.0	9.5	7.0
PIN 35	2.0 AWG	1.5	7.8	36.0	16.0	20.0	11.8	8.4
PIN 50	1/0 AWG	1.8	9.5	39.0	19.0	20.0	13.6	9.6
PIN 70	2/0 AWG	2.0	11.0	49.0	24.0	25.0	15.8	11.4
PIN 95	3/0 AWG	2.5	12.5	49.0	24.0	25.0	18.9	13.5