

Universal Strut Clamps

Features:

- For use with EMT/IMC/Rigid Conduit

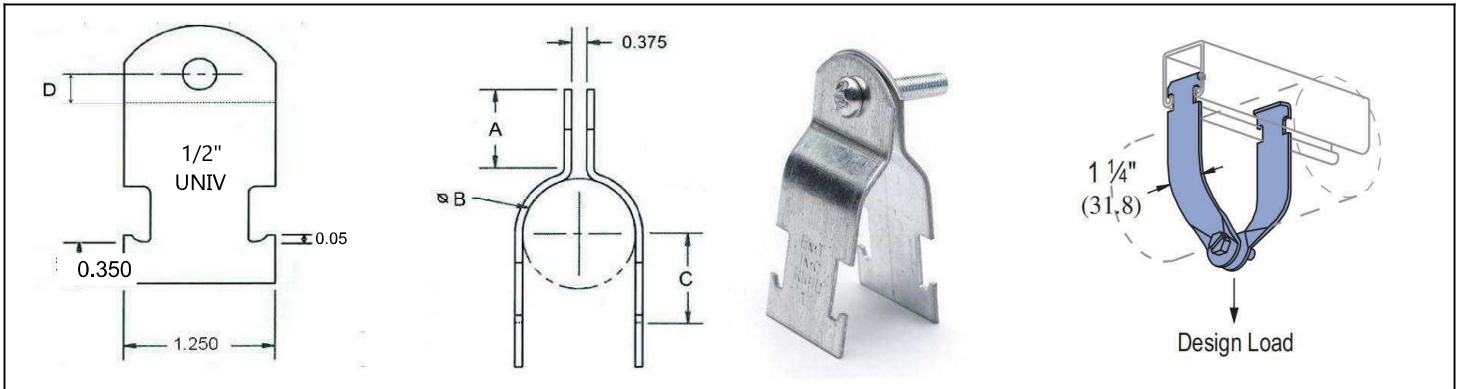
Standard Material:

- Steel

Standard Finish:

- Pre-galvanized

Cat.No.	Size	Conduit Size	Material Thickness	Hole Diameter	A	B	C	D	Bolt Size
		(mm)							
SC-050P	1/2"	17.8-22.0	0.060 (±0.05)	0.28	0.690	0.773	0.6675±0.015	0.325 0.345	M6 × 30mm
SC-075P	3/4"	23.3-26.7				0.986	0.7740±0.015		
SC-100P	1"	29.5-33.5				1.279	0.9205±0.015		
SC-125P	1-1/4"	38.3-42.2				1.585	1.0735±0.015		
SC-150P	1-1/2"	43.0-45.0			0.820	1.820	1.1910±0.015	0.400 0.420	
SC-200P	2"	53.0-55.0				2.266	1.4240±0.015		



Applications:

- Use to support stationary pipe and tubing lines from strut channel .

Clamps to be packaged
Assembled as shown
with one (1) Bolt and
one (1) Hex Nut.

