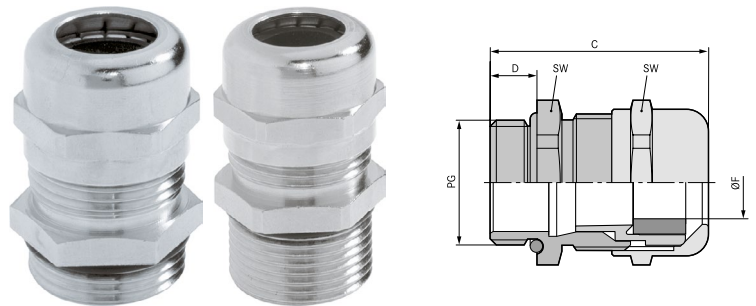




SKINTOP® MS / SKINTOP® MSR



Benefits

SKINTOP® MS

- Maximum reliability
- Optimum strain relief
- Wide, variable clamping ranges

SKINTOP® MSR

- For the benefits, refer to SKINTOP® MS

Application range

SKINTOP® MS

- In areas where mechanical and chemical stability are critical
- Chemical industry
- Measurement and control technology
- Machine and equipment manufacturing
- Plant engineering

SKINTOP® MSR

- With reducing seal insert, to seal cables with smaller outer diameters.

Product Make-up

- PG connection thread acc. to DIN 40430

Note

- Counter nut to be used: SKINDICHT® MS
- Refer to SKINTOP® PG accessories for suitable accessories

Technical data

Classification ETIM 5/6
 ETIM 5.0/6.0 Class-ID: EC000441
 ETIM 5.0/6.0 Class-Description: Cable screw gland

Caution
 Refer to Appendix T21 for the installation dimensions and torques

Material
 Body: nickel-plated brass
 Insert: polyamide
 Sealing: CR
 O-ring: NBR

Protection rating
 IP 68 - 10 bar

Temperature range
 dynamic -25°C up to + 100°C
 static -40°C up to +100°C

Article number	Article designation / size	Clamping range ØF (mm)	SW wrench size mm	Overall length, C (mm)	Thread length, D (mm)	Pieces / PU
SKINTOP® MS						
52015700	PG 7	2.0 - 6.5	14	25.0	5	100
52015710	PG 9	4.0 - 8.0	17	29.0	6	100
52015720	PG 11	4.0 - 10.0	20	32.0	6	50
52015730	PG 13,5	5.0 - 12.0	22	34.0	6.5	50
52015740	PG 16	8.0 - 14.0	24	35.0	6.5	50
52015750	PG 21	11.0 - 18.0	30	40.0	7	25
52015760	PG 29	16.0 - 25.0	40	48.0	8	25
52015765	PG 36	19.0 - 32.0	50	62.0	15	10
52015766	PG 42	28.0 - 38.0	57	62.0	15	5
52015767	PG 48	34.0 - 44.0	64	62.0	15	5
SKINTOP® MSR						
52015770	PG 7	2.0 - 5.0	14	25.0	5	100
52015780	PG 9	2.0 - 6.0	17	29.0	6	100
52015790	PG 11	3.0 - 7.0	20	32.0	6	50
52015800	PG 13,5	4.0 - 9.0	22	34.0	6.5	50
52015810	PG 16	6.0 - 13.0	24	35.0	6.5	50
52015820	PG 21	8.0 - 16.0	30	40.0	7	25
52015830	PG 29	10.5 - 20.0	40	48.0	8	25
52015831	PG 36	19.0 - 26.0	50	62.0	15	10
52015832	PG 42	24.0 - 31.0	57	62.0	15	5
52015833	PG 48	28.0 - 35.0	64	62.0	15	5

Photographs and graphics are not to scale and do not represent detailed images of the respective products.