

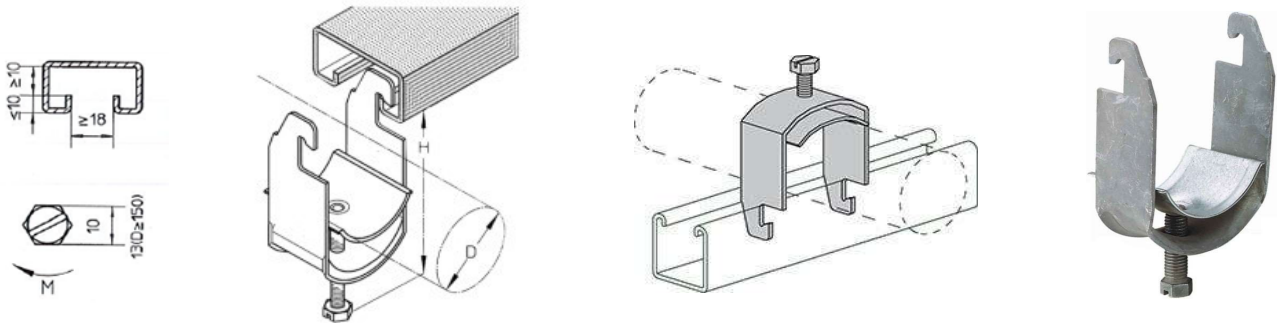
# U-CLAMP

# HOT DIP GALVANIZED

## Product Description

Applications of the U-Clamp is used for securing conduits and cables to strut profiles.

- 6 to 82 mm diameter range (available upon request others size up to 175mm)
- Compatible with 41 x 41 mm and 41 x 21 mm strut profiles
- Protective inserts are available on request to prevent cable damage due to excessive torque



ITEM NO.	DIM Ø (mm)	H MAX (mm)	Weight / 100Pc (Kg)	QTY / BOX (PC)
U 12	6 - 12	41	2.7	100
U 16	12 - 16	46	3.1	100
U 20	16 - 20	50	3.5	100
U 24	20 - 24	54	3.7	100
U 28	24 - 28	58	4.2	100
U 32	28 - 32	63	6.4	100
U 36	32 - 36	67	6.7	100
U 40	36 - 40	71	7.5	100
U 44	40 - 44	81	9.6	100
U 48	44 - 48	85	9.8	100
U 52	48 - 52	90	10.7	50
U 56	52 - 56	94	11.5	50
U 60	56 - 60	98	15.1	50
U 64	60 - 64	102	15.9	50
U 70	64 - 70	109	16.9	50
U 76	70 - 76	113	23.3	25
U 82	76 - 82	119	25.8	25