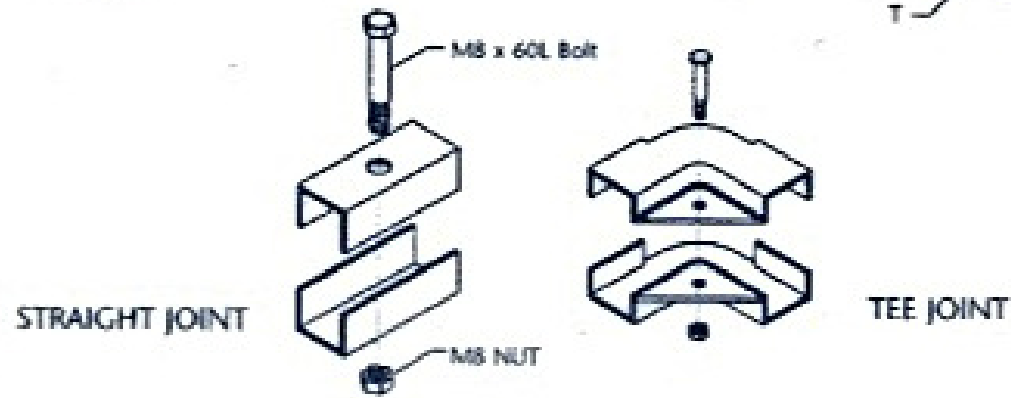
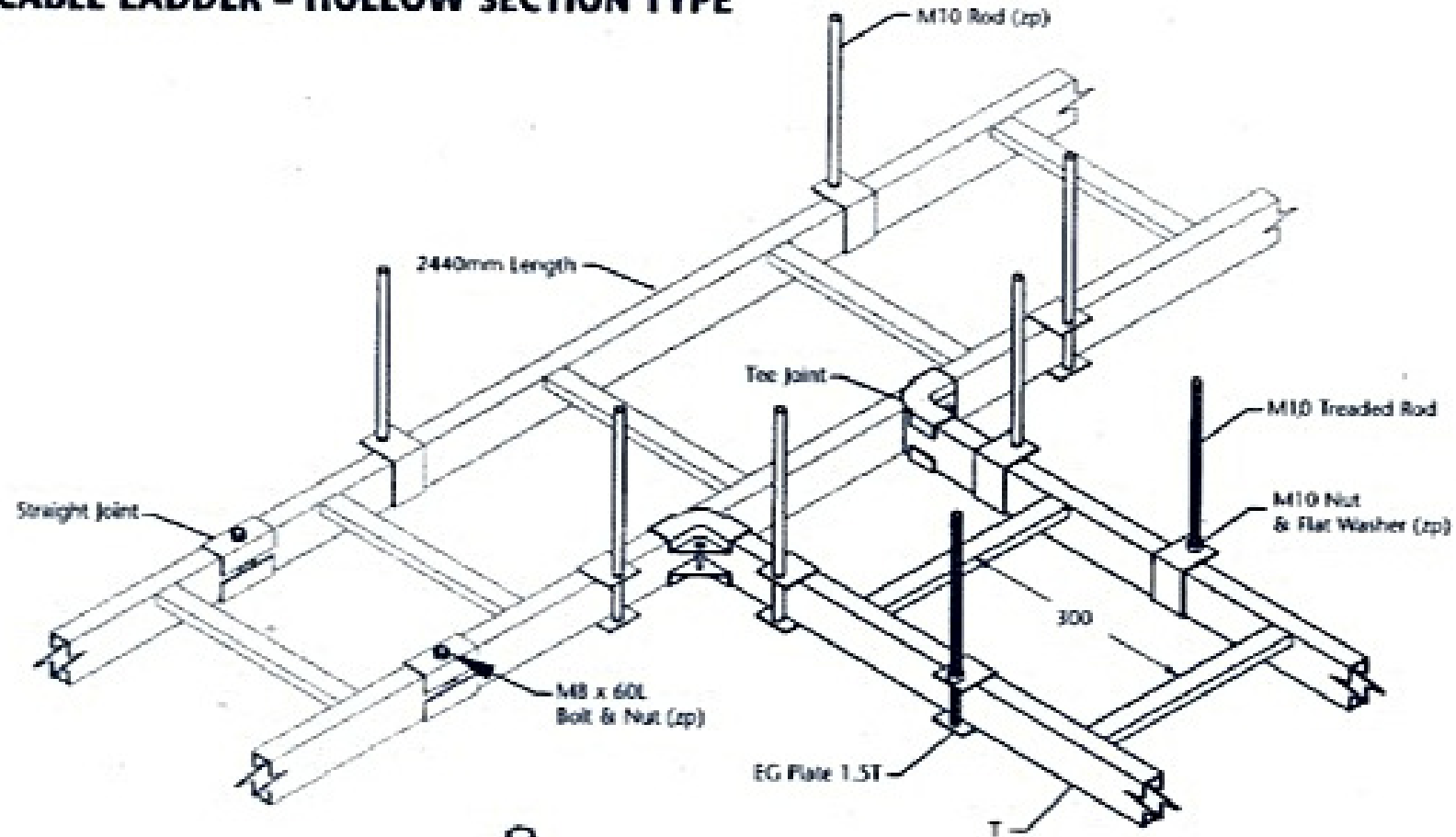


CABLE LADDER – HOLLOW SECTION TYPE



© 2010 Cable Ladder Systems, Inc. All rights reserved. Cable Ladder Systems, Inc. is a registered trademark of Cable Ladder Systems, Inc.